



- Low Cost
- 24 or 48V Outputs
- Wide Range AC Input
- Active PFC
- Parallel Function Switch
- -25 to +71°C Operation

# DPP480 Series

## 480W Single Output DIN Rail Mount Power Supplies

### Key Market Segments & Applications

- Industrial Controls: Motor Control Systems
- Factory Automation: Process Control, Automotive, Chemical Processing
- Test & Measurement: Burn in & Test, Instrumentation Measurement

### DPP480 Features and Benefits

#### Features

- PFC Compliant to EN61000-3-2
- UL508 Approvals
- TS35/7.5 or TS35/15 DIN Rail Mounting

#### Benefits

- Supports Global Use
- Easier System Configuration
- Easy System Integration

### Specifications

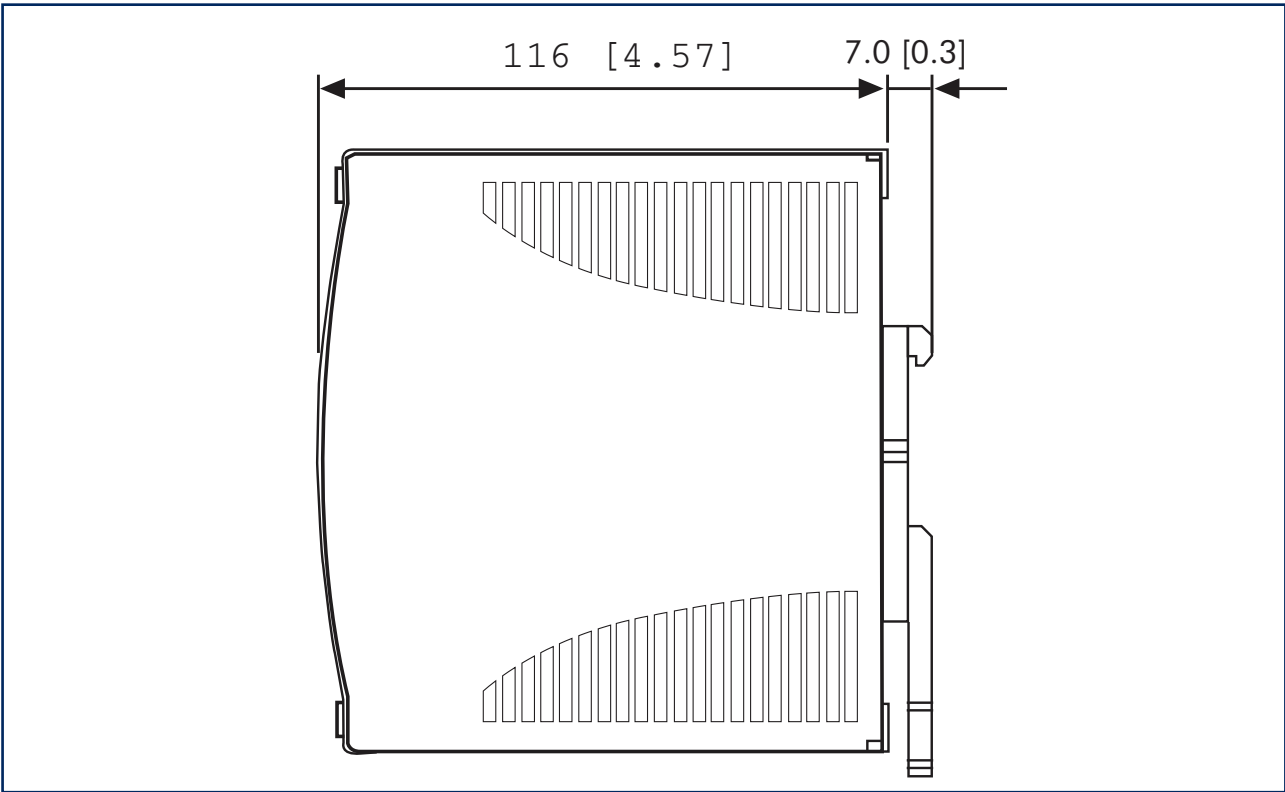
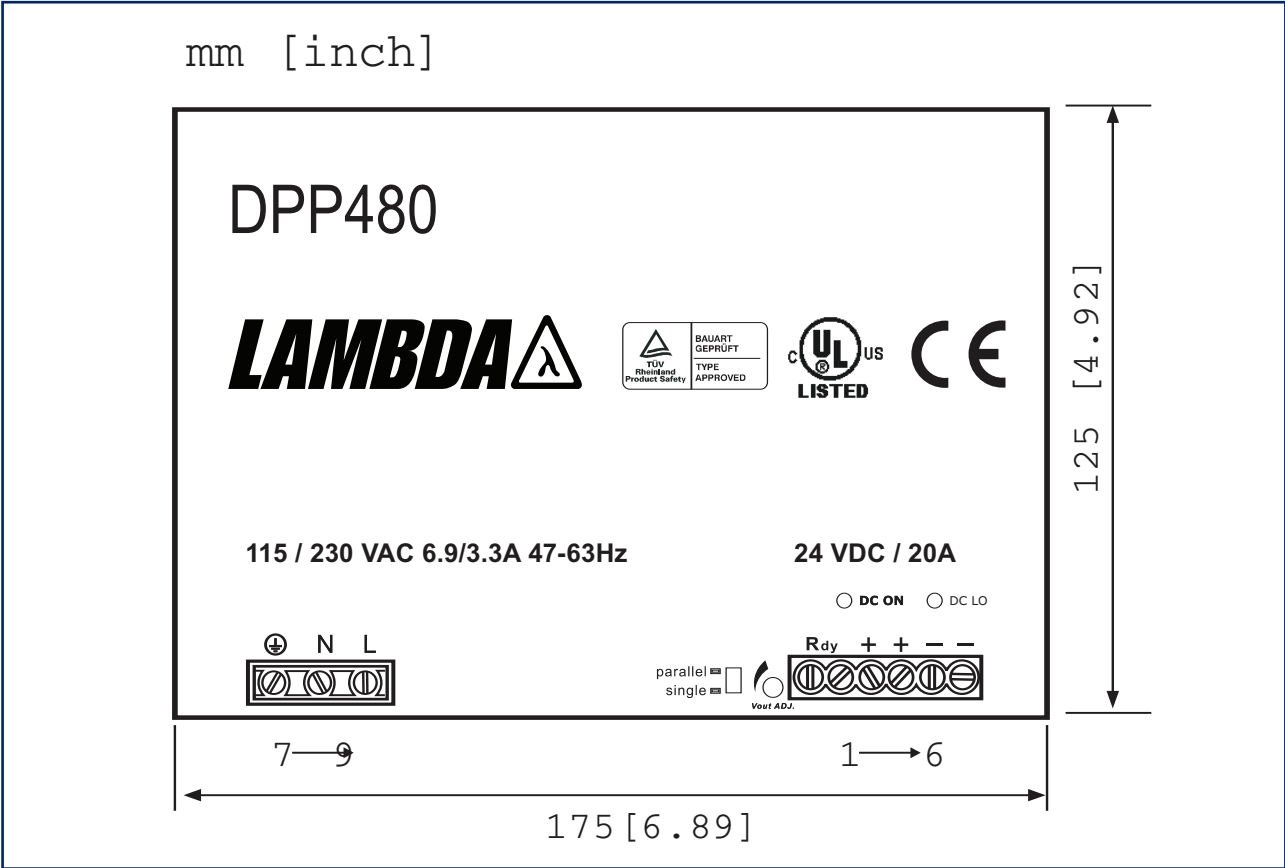
MODELS		DPP480-24-1	DPP480-48-1
ITEMS			
AC Input Voltage range	VAC	90 - 264VAC	
Input Frequency	Hz	47 - 63Hz	
DC Input Voltage range	VDC	120 - 370VDC	
Inrush Current (115 / 230VAC)	A	25 / 50A	
Power Factor	-	Meets EN61000-3-2 Class A, typ 0.99 at 230VAC input	
Input Current (115/230VAC)	A	7 / 3.5A	
Output Voltage	V	24V	48V
Output Current	A	20A	10A
Output Voltage Adjustment Range	-	22.5 - 28.5V	47 - 56V
Output Voltage Accuracy	%	-0, +1% of Nominal	
Line Regulation	%	±0.5%	
Load Regulation	%	±0.5% (±5% when set in parallel mode)	
Ripple and Noise (20MHz BW)	mV	100mV	
Overcurrent Protection (Typ)	-	120 - 140%	
Overvoltage Protection	V	30 - 33V	57 - 63V
Hold Up Time (115VAC input)	ms	> 30ms	
Efficiency (typ)	%	89%	90%
Parallel operation	-	Set in single or parallel (droop) mode - maximum of 3 units	
LED Indicators	-	Green LED = On, Red LED = DC Output Low	
DC Good Relay (24V model only)	-	0.3A rated normally open relay contacts, closes when output is above 17.6 - 19.4V	
Operating Temperature	-	-25 to +71°C (Derate linearly 2.5%/°C from 61 to 71°C)(2)	
Storage Temperature	-	-25 to +85°C	
Operating Humidity	-	20 - 95% RH (non condensing)	
Cooling (1)	-	Convection	
Withstand Voltage	-	Input to Output 3kVAC for 1 min.	
Isolation Resistance	-	>100M at 25C & 70%RH, Output to Ground 500VDC	
Safety Agency Approvals	-	UL508 Listed, UL60950-1, EN60950-1, CE	
Conducted & Radiated EMI	-	EN55022 class A	
Weight (Typ)	g	1920g	
Size (WxHxD)	mm	175 x 125 x 123	
Case material	-	Metal	
Warranty	yrs	Two years	

Notes: (1) Recommend 1" clearance on all sides  
 (2) Derating curve applies for input of 110V and above. For 90V input derating at 4% per deg

<b>Model Selector</b>					
Model	Voltage (V)	Voltage Adjust (V)	Current (A)	Power (W)	Effic. (typ) %
DPP480-24-1	24	22.5 - 28.5	20	480	89
DPP480-48-1	48	47.0 - 56.0	10	480	90

<b>PIN Assignments</b>	
PIN	Function
1	DC Good Relay
2	DC Good Relay
3	V+
4	V+
5	V-
6	V-
7	Chassis
8	N
9	L

DPP480 Outline Drawing



## LAMBDA EUROPE

### AUSTRIA

LAMBDA ELECTRONICS GmbH  
Aredstraße 22  
A-2544 Leobersdorf

Telephone: +43 (0) 2256 655 84  
Facsimile: +43 (0) 2256 645 12  
www.lambda-austria.com

### FRANCE

LAMBDA SAS  
ZAC des Delaches, BP1077 - Gometz le Chatel  
91940 Les Ulis

Telephone: +33 (0) 1 60 12 71 65  
Facsimile: +33 (0) 1 60 12 71 66  
Web: www.lambda-f.com

### GERMANY

LAMBDA GmbH  
Karl-Bold-Straße 40  
D-77855 Achern

Telephone: +49 (0) 78 41 666 0  
Facsimile: +49 (0) 78 41 5000  
Web: www.lambda-germany.com

### ISRAEL

NEMIC LAMBDA LTD  
Kibbutz Givat  
Hashlosa 48800

Telephone: +972 (0) 3 902 4333  
Facsimile: +972 (0) 3 902 4777  
Web: www.nemic.co.il

### ITALY

LAMBDA s.r.l.  
Via dei Laboratori 128/130,  
20092, Cinisello Balsamo (Mi)

Telephone: +39 (0) 02 61 29 38 63  
Facsimile: +39 (0) 02 61 29 09 00  
Web: www.lambda-italy.com

### SWEDEN

LAMBDA SCANDINAVIA  
PO Box 546, Rallarvägen 41  
SE-184 25. Akersberga

Telephone: +46 (0) 8 598 94 090  
Facsimile: +46 (0) 8 540 66 096  
Web: www.lambda-scandinavia.com

### UK

LAMBDA UK  
Kingsley Avenue  
Ilfracombe Devon EX34 8ES

Telephone: +44 (0) 1271 856666  
Facsimile: +44 (0) 1271 864894  
Web: www.lambda-gb.com

## LAMBDA NORTH AMERICA

visit [www.lambdapower.com](http://www.lambdapower.com) for a list of Lambda offices and distributors

## LAMBDA ASIA

visit [www.densei-lambda.com](http://www.densei-lambda.com) for a list of Lambda offices and distributors

## LOCAL DISTRIBUTION

